



QUICK INSTALLATION GUIDE

[go to Lunasee.com/support to download the complete installation guide]

FOR

Lunasee PRO 1000

Hi-Viz Wheel Light Charging system

Note: *These instructions apply to both the one wheel and two wheel versions. One wheel kits will only require application of LunaGLO rim tape and LEDs on one wheel.*

NOTE: *Please read and follow these instructions carefully. It is important to install the components correctly and in the right order. While we do warrant against defects, we do not take responsibility for improper installation.*

Lunasee

+1 (252) 353 4354

lunasee.com

For Technical Questions – Email us at techsupport@lunasee.com or call 252-353-4354 Option 2

Parts List



PRO LEDpods (x4)



PRO Control Box (x1)



Fuse Holder Assembly (x1)



Connector Ring (x1)



Butt Splice Crimp Connector (x4)



3a/250v Fuse (x1)



Switch (x1)



Switch Boot (x1)



Alcohol Wipes (x6)



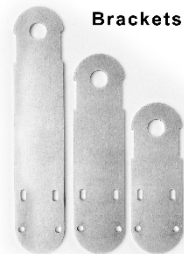
4.5" ziptie (x30)



8" ziptie (x20)



15.3" ziptie (x5)



5"(x2) 4"(x4) 3"(x3)



Angle Mount (x2)



Hose Clamp Spacer (x2)



M8 Angle Mount Screw (x2)



M8 Nylock Nut (x2)



1"x2"- Double Side Adhesive (x2)



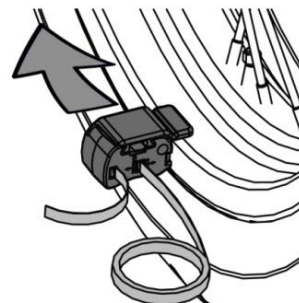
1" Round - Double Sided Adhesive (x6)



0.5" LEDpod Spacers (x2)



1 Roll - LunaGLO[™] Rim Tape



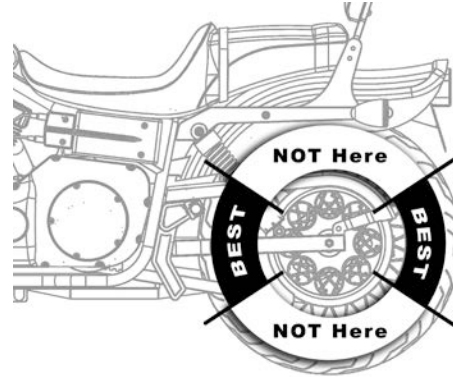
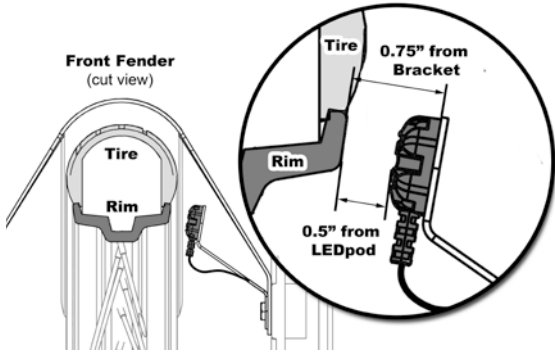
Tape Applicator Tool

Section I: PRE-INSTALLATION

Step 1: Identify surface area on rim for applying LunaGLO tape

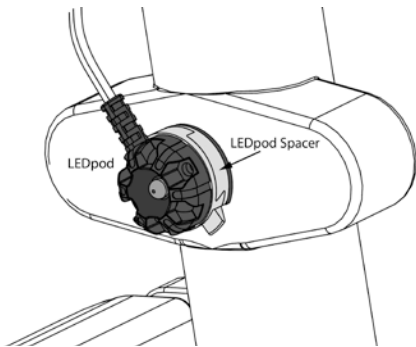
Step 2: LEDpod Placement

TIP: When mounting LEDpods that will be affected by suspension travel, measure the difference of your motorcycle being weighted with the rider/bags before mounting LEDpods. This will ensure your LEDpods will be targeted correctly under normal riding conditions with the weight of the rider. If your bike has adjustable suspension, please check to ensure LEDpod targeting is appropriate for your range of suspension settings & suspension travel.

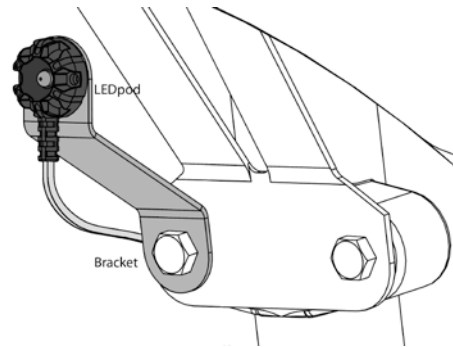


Step 3: Determine LEDpod mounting options

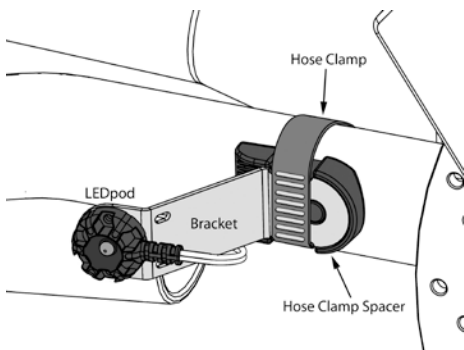
Option (A) - Direct Mount with Adhesive, optional LEDpod Spacer



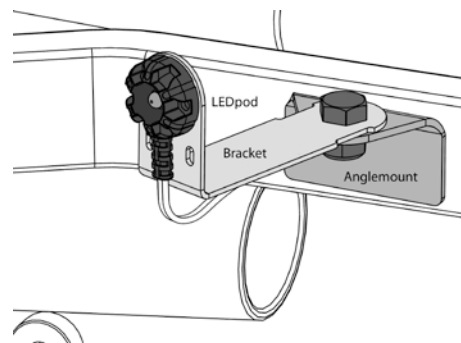
Option (B) - Bracket Mount to Factory Bolt



Option (C) - Hose Clamp with Bracket and Hose Clamp Spacer



Option (D) - Angle Mount with Adhesive and Bracket



Section II: LunaGLO TAPE APPLICATION

Clean and dry surface before applying. Do not apply in cold temperatures.

Step 4: Apply LunaGLO tape to rim

4.1 Applying LunaGLO tape with OPTIONAL Tape Applicator tool & alignment leg (see Fig 4.1)

Fig 4.1

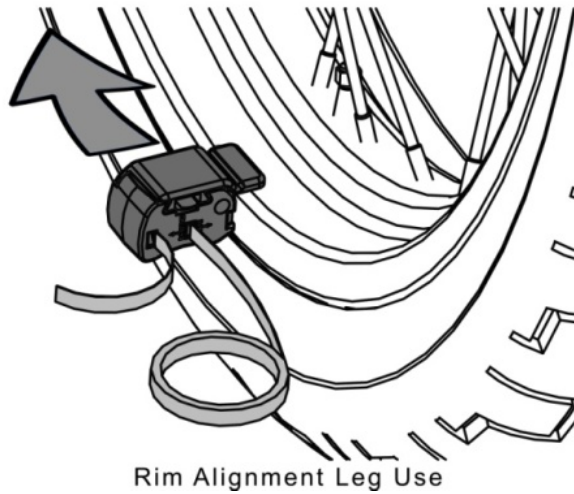
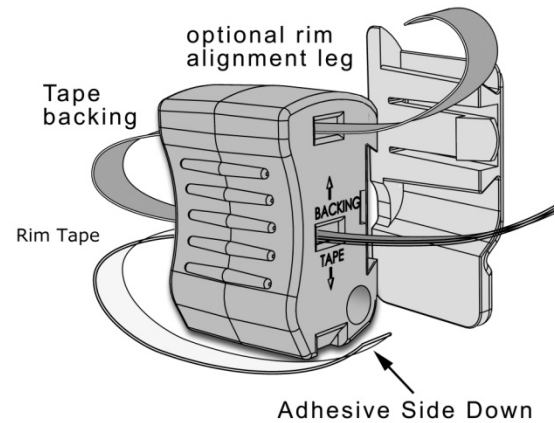


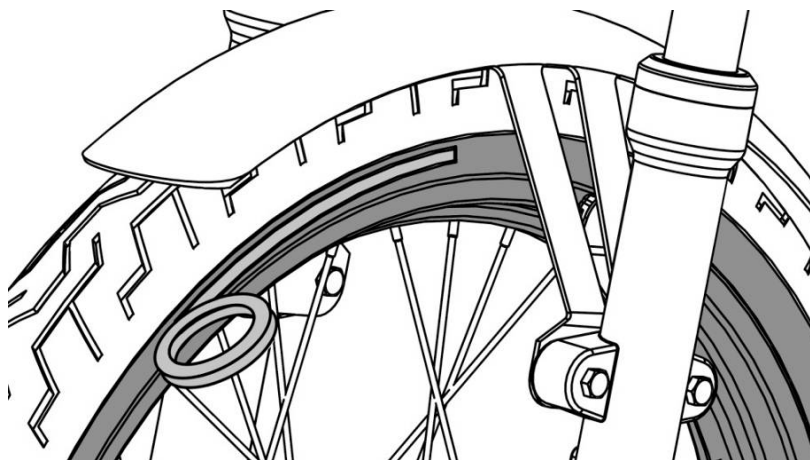
Fig 4.2 – Feeding Tape through Applicator Tool



4.2 Applying LunaGLO tape by Hand (Fig 4.3)

If the applicator tool does not work on your rim, apply tape by hand slowly.

Fig 4.3

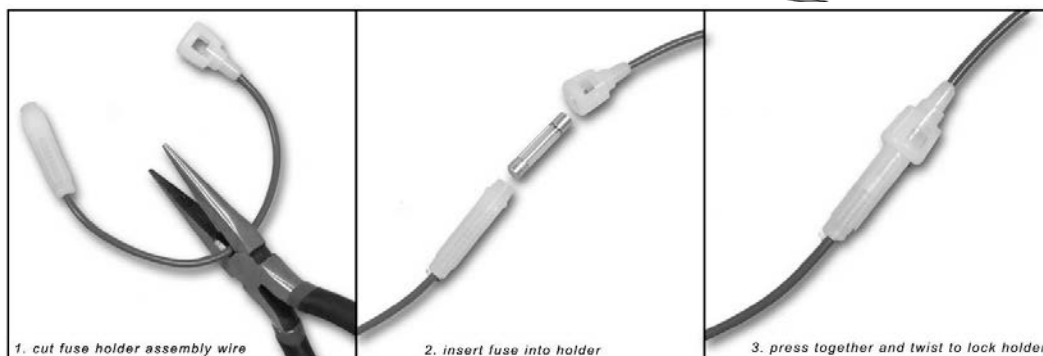
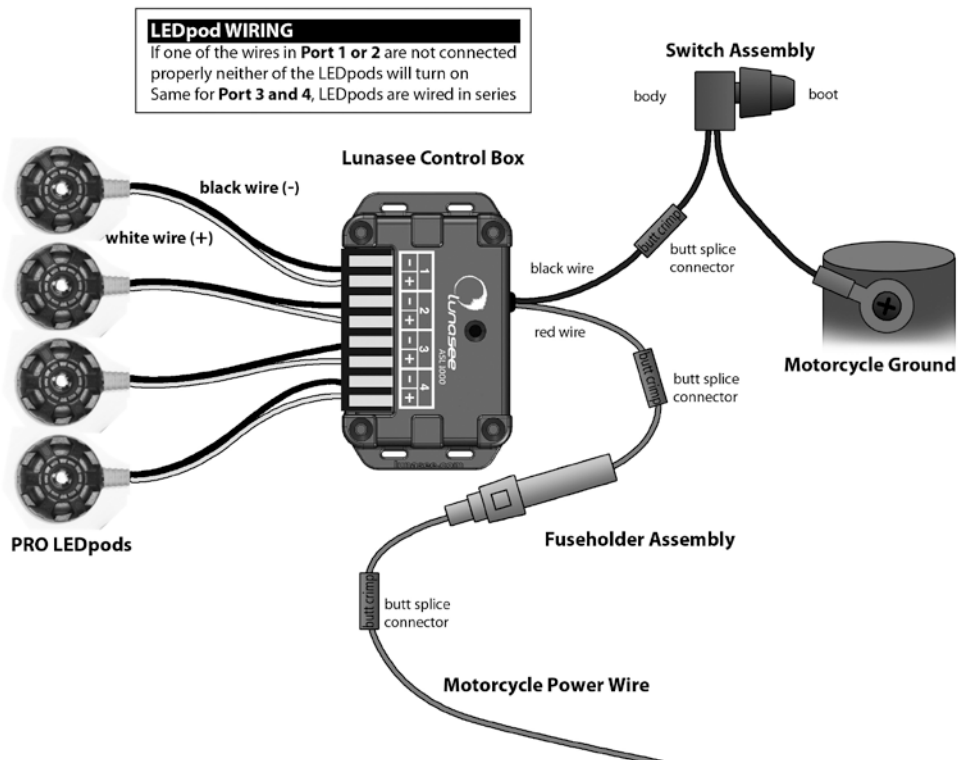


Section III: PRELIMINARY WIRING

Step 5: Review mounting locations and wire routing/placement

Find locations where you would like to mount or connect the following components in this order. **1. CONTROL BOX, 2. SWITCH ASSEMBLY, 3. BLACK GROUND and RED POWER WIRE, and 4. LEDpods.** The PRO Controller is water resistant, but not waterproof and should be located in a space that protects the Controller from exposure to water/moisture.

PRO 1000 - Wiring Diagram 1



Step 6: Temporarily connect & test LEDpod's before trimming LEDpod wires

PRO1000: Connect LEDpod wires to Controller ports, connecting black wires to negative (-) ports and white wires to positive (+) ports. Use Port 1 and 2 for the front wheel LEDpods and Port 3 and 4 for the rear wheel LEDpods. Each (-, +) wire pair needs to connect to the same (-, +) port pair. The front and rear LEDpods are wired in series; if one of the wires in Port 1 or 2 are not connected properly, neither of the LEDpods will turn on. Check that all connections are solid.

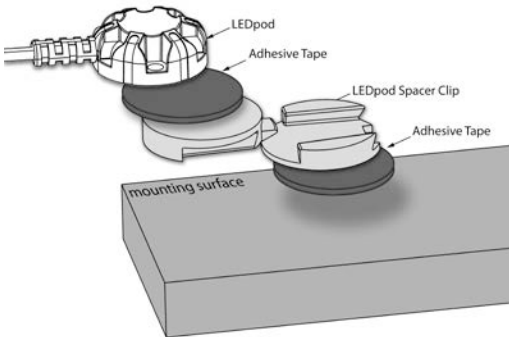
Section IV: BENDING BRACKETS AND MOUNTING LEDPODS

Step 7: Bending Brackets

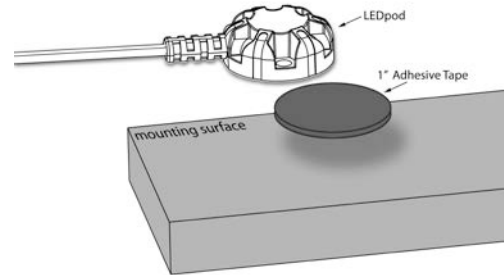
If Brackets are required, lightly mark where each bend in the Bracket will be based on paper cut out. Follow the process below, one Bracket at a time.

SECTION IV FIGURES

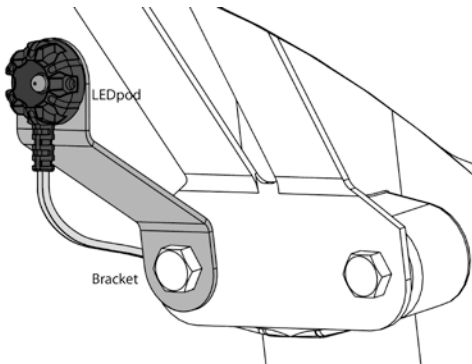
Option (A) LEDpod Direct Mount with Adhesive with Spacer



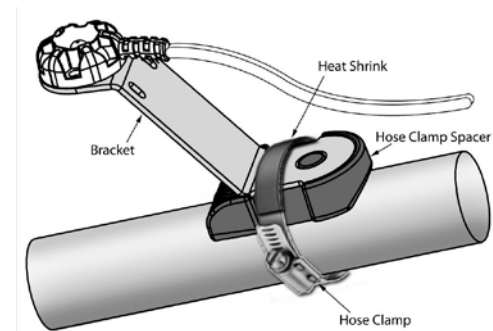
Option (A) LEDpod Direct Mount with Adhesive (No Spacer)



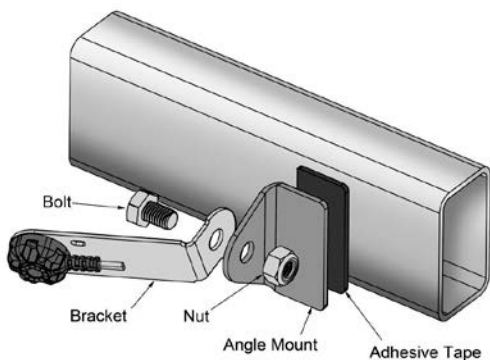
Option (B) LEDpod with Bracket to Factory Bolt Location



Option (C) LEDpod with Bracket and Hose Clamp & Hose Clamp Spacer



Option (D) LEDpod with Bracket and Angle Mount





Section V: FINAL ROUTING/FINISHING OF LEDPOD WIRES AND SYSTEM TEST

Step 8: Routing LEDpod Wires and cutting to desired length and full system test

Starting at the mounted LEDpod, run wire from each LEDpod to the Controller (not vice versa), being sure to leave enough slack to allow full movement of the motorcycle suspension. Cut LEDpod wires as appropriate and strip 0.25" from each of the loose ends. Re-connect each of the LEDpod wires to their corresponding ports in the Controller. Check to see that all LEDs are coming on and LEDpods are all targeted on the *LunaGLO* tape.

QUESTIONS?

Check out our Support Page at www.lunasee.com/support
or
Contact Tech Support at

Phone: 252-353-4354, Option 2
Email: techsupport@lunasee.com

*Contact Tech Support to receive current **Troubleshooting Guides** if you encounter any problems with your system.*