

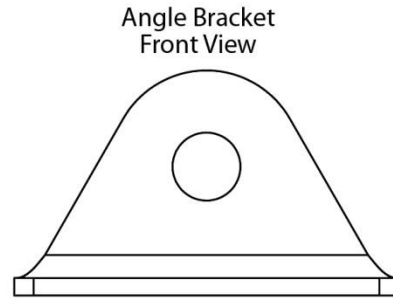
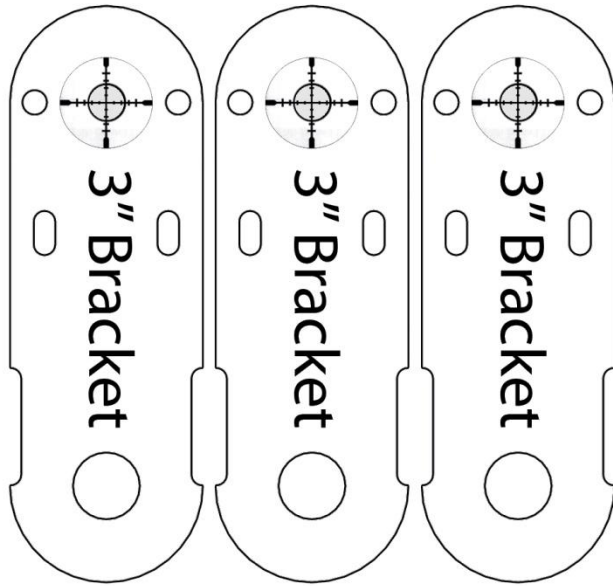
\*\*\*\*\*MUST BE PRINTED IN "ACTUAL SIZE" FOR CORRECT SCALE



# Paper Bracket Reference Tool



Before bending aluminum brackets, cut out these paper templates, and use to test for best fit



Angle Bracket  
Adhesive Area  
1" x 2"

